

PRECISION 502 SERIES

FAA/FCC Obstruction Light Photoelectric Controller

PRECISION MULTIPLE CONTROLS, INC. HAS BEEN MANUFACTURING PHOTOCONTROLS FOR OVER 50 YEARS



Precision Multiple Controls, Inc. manufactures a wide variety of products including twistlock, button type, swivel type and low voltage photocontrols, as well as obstruction lighting controls for FAA & FCC requirements.

INSTALLATION INSTRUCTIONS

The 502 Series is designed to install on standard 4-3/4 x 4-3/4 splice boxes (Appleton FCD-2-75A, Killark 2FDC-2, Crouse Hinds FD-2255A). Please note on the backside of the control housing there are four sets of hole locations. The outside holes (those nearest the outside flange) are for the standard 4-3/4" x 4-3/4" splice box stocked by electrical distributors. The inside holes are for replacing existing Crouse Hinds obstruction controls only. Please note the differences and punch out only the holes you will require for your installation. Weather tight gasket is in place and mounting screws are provided. All electronic circuitry, terminal block and relays are contained within the molded housing. The splice box is not furnished as they are available locally. Request a quote, if you need a splice box.

Molded ABS plastic housing holds all components. Weather-tight when mounted on a splice box with gasket.

CONTROLLER OPERATION

The controller senses the change of natural light and will energize a lighting circuit at the specified light levels. On the rising of light in the morning the controller will de-energize the lighting circuit at the desired light level. The light switching levels meet the FAA/FCC requirements. The control has a time delay of 30 seconds on the off side to prevent false switching due to sudden light flashes in the area. Each control is pre-calibrated to the required light switching levels.

The Precision 502 Series can be used to replace the following cross referenced models.

CROSS REFERENCE

PRECISION MODEL	HUGHEY & PHILIPS®	CROUSE HINDS®	ABB/SAC®	UNIMAR®	VOLTAGE	RATING	SWITCH	LIGHT LEVEL SPECS
502-2L	-	-	-	-	120 V	30 AMP	2-SPST	0n/Off 2-5 FL
502-2H	PC800-120V*	PEC 52009	PCR-11	18001-003	120 V	30 AMP	2-SPST	35FL 0n/58FL Off
502-4L	-	-	-	-	240 V	30 AMP	2-SPST	0n/Off 2-5 FL
502-4H	PC800-240V*	PEC 52009-1	PCR-13	18002-003	240 V	30 AMP	2-SPST	35FL 0n/58FL Off

Important Clarification - Precision Multiple Controls, Inc. does NOT manufacture or sell Hughey & Philips®, Crouse Hinds®, ABB/SAC® or Unimar® products. Precision manufactures and sells their own photocontrols.

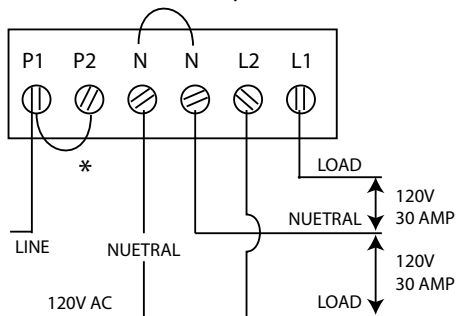
* Hughey & Philips is the registered trademark of Hughey & Philips, Ilc. ° Crouse Hinds is the registered trademark of Cooper Industries, Inc. ° ABB/SAC is the registered trademark of ABB. ° Unimar is the registered trademark of Universal Marketing Inc.

* Check catalogue numbers without aluminum splice box. Numbers given are with splice box.

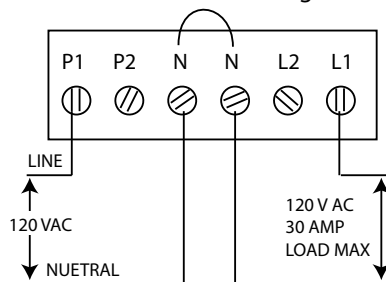
WIRING CONNECTIONS

There are several wiring options to suit the installation requirements. The wiring terminal block is clearly marked and easily accessible to wire prior to mounting the controller on the wiring splice box. The power switching relay is made up of (2) SPST-N.O. independent contacts, rated at 30 amp each (1 HP@120 VAC / 2.5 HP@ 240 VAC. Models are available in 120V or 240V, 60 Hz.

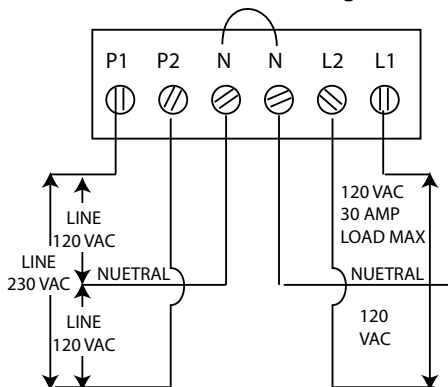
2 Wire Service with Split Loads



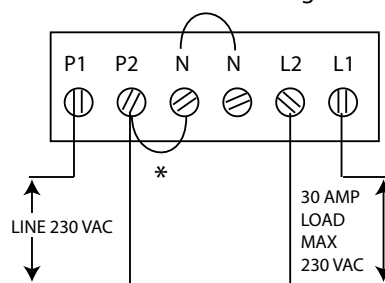
2 Wire Service Switching Hot Line Only



3 Wire Service Switching Both Hot Lines

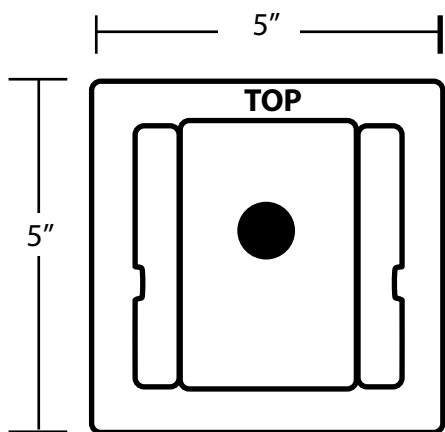


2 Wire Service Switching Both Hot Lines
(No Nuetral)

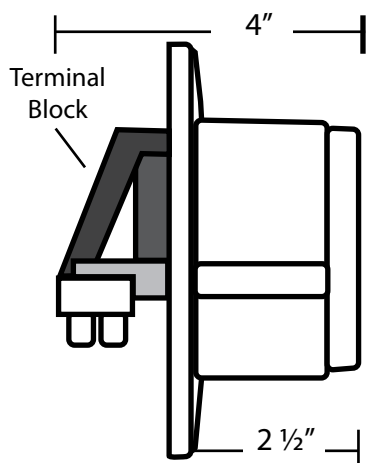


* Jumper wire not supplied, use up to #8 copper wire.

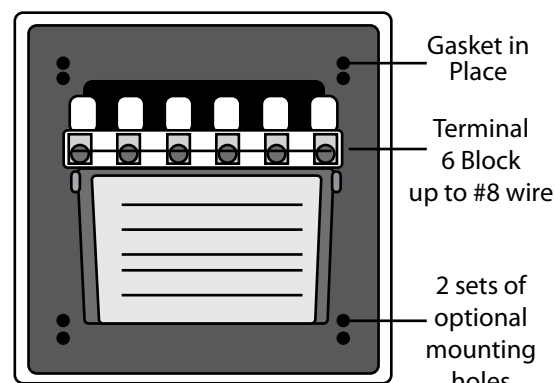
DIMENSIONS



Front View



Side View



Rear View

Gasket in Place
Terminal Block up to #8 wire
2 sets of optional mounting holes
(see instructions on other side) only K.O. ones to be used

Please check the Precision website at www.precisionmulticontrols.com for other controls to save energy.

Live customer service always available 9 am to 5pm E.S.T., call 1 (800) 775-5862.

Precision Multiple Controls, Inc.

33 Greenwood Ave. • Midland Park, NJ 07432

www.precisionmulticontrols.com